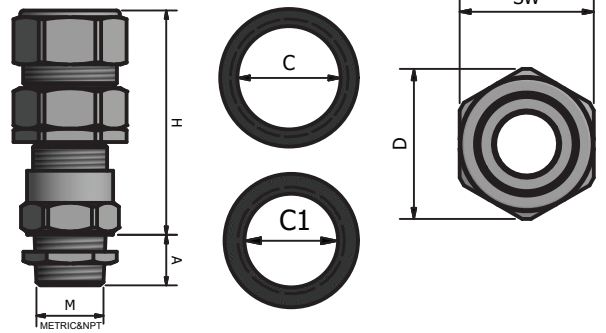




# Hazardous Area Adapters (Group II)

## ARMoured CABLE GLANDS

## MERKUR SERIES-METRIC TYPE



### Technical Details

Type	Cable Glands for Armoured cable with Metric thread
Protection Code	Ex IM2 Ex db/eb I Mb / II 2G Ex db/eb IIC Gb / II 1D Ex tb IIIC Da
Certificate	IEP 19 ATEX 0719X / Directive 2014/34/EU
Material	MS 58 Brass, Brass Nickel Plated
Standarts	EN 60079-0:2013, EN 60079-1:2014, EN 60079-7:2015, EN 60079-31:2014
IP Rating	EN 60529 IP66 & IP68
Seal Material	Chloroprene Seals -40°C to +100°C / Silicone Seals -60°C to +180°C
Application Area	Group II-III / Gas & Dust, Zone 1-2 & 21-22 Gas Groups IIA, IIB, IIC / Dust Groups IIIA, IIIB, IIIC
Optional Accessories	Shroud, Locknut, Earth tag, IP Washers

Size Selection Table			
Metric Size		NPT Size	
1M	M12x1,5	1N	1/4"
2M	M16x1,5	2N	3/8"
3M	M20x1,5	3N	1/2"
4M	M25x1,5	4N	3/4"
5M	M32x1,5	5N	1"
6M	M40x1,5	6N	1 1/4"
7M	M50x1,5	7N	1 1/2"
8M	M63x1,5	8N	2"

Product Code	Metric Size	Thread Size M (mm)	Cable Clamping Range Ø min-max		Thread Length A (mm)	Spanner Width SW / D		Nominal Protrusion Length H (mm)	Weight (Kgs)
			C1 (mm)	C (mm)		SW (mm)	D (mm)		
M-MER1M	M12x1,5	12	3,0 - 6,5	4,0 - 9,0	15	20	22,5	67	0,088
M-MER2M	M16x1,5	16	4,0 - 9,0	11,0 - 13,5	15	22	24,50	67	0,114
M-MER2ML	M16x1,5	16	6,0 - 11,0	11,0 - 15,0	15	24	26,50	67	-
M-MER3MS	M20x1,5	20	6,0 - 11,0	11,0 - 15,0	15	24	26,50	67	0,144
M-MER3M	M20x1,5	20	8,0 - 13,0	15,0 - 20,0	15	30	33,50	67	0,173
M-MER3ML	M20x1,5	20	11,0 - 15,0	18,0 - 26,0	15	36	40,50	-	-
M-MER4MS	M25x1,5	25	10,0 - 15,0	17,0 - 22,0	15	30	33,50	-	-
M-MER4M	M25x1,5	25	11,0 - 19,0	20,0 - 27,0	15	36	40,50	72	-
M-MER4ML	M25x1,5	25	14,0 - 19,0	24,0 - 30,0	15	45	51,50	-	0,252
M-MER5MS	M32x1,5	32	13,0 - 19,0	20,0 - 27,0	15	36	40,50	-	-
M-MER5M	M32x1,5	32	18,0 - 26,0	26,0 - 33,0	15	45	51,50	79	0,395
M-MER5ML	M32x1,5	32	20,0 - 27,0	28,0 - 37,0	15	50	56,00	-	-
M-MER6MS	M40x1,5	40	18,0 - 26,0	26,0 - 33,0	15	45	51,50	-	-
M-MER6M	M40x1,5	40	25,0 - 32,0	33,0 - 40,0	15	55	61,50	88	0,660
M-MER6ML	M40x1,5	40	30,0 - 35,0	36,0 - 44,0	15	60	65,50	-	-
M-MER7MS	M50x1,5	50	30,0 - 37,0	36,0 - 45,0	15	60	65,50	-	-
M-MER7M	M50x1,5	50	34,0 - 44,0	43,0 - 54,0	15	70	77,50	100	1,062
M-MER7ML	M50x1,5	50	36,0 - 45,0	49,0 - 59,0	15	75	84,00	-	-
M-MER8MS	M63x1,5	63	36,0 - 45,0	49,0 - 59,0	15	75	84,00	-	-
M-MER8M	M63x1,5	63	47,0 - 54,0	58,0 - 64,0	15	80	88,50	110	1,420
M-MER8ML	M63x1,5	63	50,0 - 57,0	63,0 - 72,0	15	90	99,50	-	-
M-MER9M	M75x1,5	75	59,0 - 65,0	65,0 - 74,0	15	90	99,50	110	1,670

Code	Size Code	Male Thread	Material	Sealing Gasket	Accessories				Code Example
	2 : M16x1,5 3 : M20x1,5	M: Metric N: NPT	B : Brass BN : Brass Nickel Plated	S : Silicone C: Chloroprene	Shroud	Locknut	Earth Tag	IP Washers	
M-MER	2	M	BN	C	S	L	E	w	M-MER2MBNCL

Flameproof Exd & Increased Safety Exe

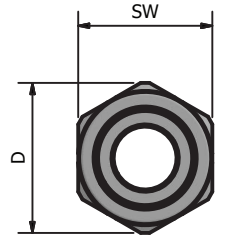
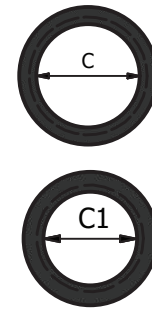
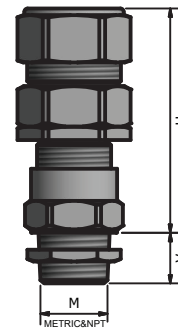




# Hazardous Area Adapters (Group II)

## ARMoured CABLE GLANDS

## MERKUR SERIES-NPT TYPE



### Technical Details

Type	Cable Glands for Armoured cable with NPT thread
Protection Code	Ex IM2 Ex db/eb I Mb / II 2G Ex db/eb IIC Gb / II 1D Ex tb IIIC Da
Certificate	IEP 19 ATEX 0719X / Directive 2014/34/EU
Material	MS 58 Brass, Brass Nickel Plated
Standarts	EN 60079-0:2013, EN 60079-1:2014, EN 60079-7:2015, EN 60079-31:2014
IP Rating	EN 60529 IP66 & IP68
Seal Material	Chloroprene Seals -40°C to +100°C / Silicone Seals -60°C to +180°C
Application Area	Group II-III / Gas & Dust, Zone 1-2 & 21-22 Gas Groups IIA, IIB, IIC / Dust Groups IIIA, IIIB, IIIC
Optional Accessories	Shroud, Locknut, Earth tag, IP Washers

Size Selection Table			
Metric Size		NPT Size	
1M	M12x1,5	1N	1/4"
2M	M16x1,5	2N	3/8"
3M	M20x1,5	3N	1/2"
4M	M25x1,5	4N	3/4"
5M	M32x1,5	5N	1"
6M	M40x1,5	6N	1 1/4"
7M	M50x1,5	7N	1 1/2"
8M	M63x1,5	8N	2"

Product Code	Metric Size	Thread Size M (mm)	Cable Clamping Range Ø min-max		Thread Length A (mm)	Spanner Width SW / D		Nominal Protrusion Length H (mm)	Weight (Kgs)
			C1 (mm)	C (mm)		SW (mm)	D (mm)		
M-MER1N	1/4"	13,716	3,0 - 6,5	4,0 - 9,0	15	20	22,5	67	0,090
M-MER2N	3/8"	17,145	4,0 - 9,0	11,0 - 13,5	15	22	24,50	68	0,116
M-MER2NL	3/8"	17,145	6,0 - 11,0	11,0 - 15,0	15	24	26,50	68	-
M-MER3NS	1/2"	21,336	6,0 - 11,0	11,0 - 15,0	15	24	26,50	68	0,150
M-MER3N	1/2"	21,336	8,0 - 13,0	15,0 - 20,0	15	30	33,50	68	0,173
M-MER3NL	1/2"	21,336	11,0 - 15,0	18,0 - 26,0	15	36	40,50	-	-
M-MER4NS	3/4"	26,670	10,0 - 15,0	17,0 - 22,0	18	30	33,50	-	-
M-MER4N	3/4"	26,670	11,0 - 19,0	20,0 - 27,0	18	36	40,50	74	-
M-MER4NL	3/4"	26,670	14,0 - 19,0	24,0 - 30,0	18	45	51,50	-	0,250
M-MER5NS	1"	33,401	13,0 - 19,0	20,0 - 27,0	18	36	40,50	-	-
M-MER5N	1"	33,401	18,0 - 26,0	26,0 - 33,0	18	45	51,50	80	0,391
M-MER5NL	1"	33,401	20,0 - 27,0	28,0 - 37,0	18	50	56,00	-	-
M-MER6NS	1 1/4"	42,164	18,0 - 26,0	26,0 - 33,0	18	45	51,50	-	-
M-MER6N	1 1/4"	42,164	25,0 - 32,0	33,0 - 40,0	18	55	61,50	88	0,660
M-MER6NL	1 1/4"	42,164	30,0 - 35,0	36,0 - 44,0	18	60	65,50	-	-
M-MER7NS	1 1/2"	47,800	25,0 - 32,0	33,0 - 40,0	18	55	61,50	-	-
M-MER7N	1 1/2"	47,800	30,0 - 37,0	36,0 - 45,0	18	60	65,50	88	0,750
M-MER7NL	1 1/2"	47,800	33,0 - 40,0	43,0 - 54,0	18	70	77,50	-	-
M-MER8NS	2"	60,325	34,0 - 44,0	43,0 - 54,0	20	70	77,50	-	-
M-MER8N	2"	60,325	40,0 - 50,0	49,0 - 59,0	20	75	84,00	107	1,249
M-MER8NL	2"	60,325	47,0 - 52,0	57,0 - 63,0	20	80	88,50	-	-
M-MER9N	2 1/2"	73,025	47,0 - 54,0	58,0 - 64,0	22	80	88,50	110	1,487

Code	Size Code	Male Thread	Material	Sealing Gasket	Accessories				Code Example
	2 : 3/8" NPT 3 : 1/2" NPT	N: NPT M: Metric	B : Brass BN : Brass Nickel Plated	S : Silicone C: Chloroprene	Shroud	Locknut	Earth Tag	IP Washers	
M-MER	2	N	BN	C	S	L	E	w	M-MER2NBCL

Flameproof Exd & Increased Safety Exe

