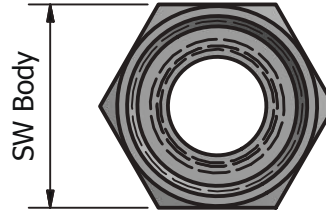
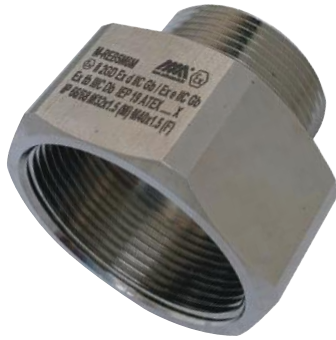




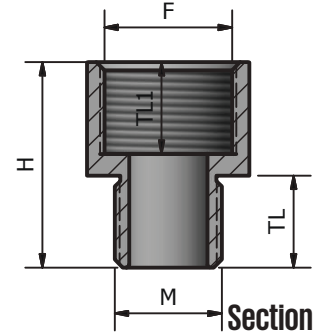
# Hazardous Area Reducers (Group II)

## REDUCERS

## KOZMOZ SERIES



Top view



Section

### Technical Details

Type	Reducers_NPT & NPT Type
Protection Code	Ex I M2 Ex db I Mb / I M2 Ex eb I Mb / II 1D Ex ta IIIC Da / II 2G Ex db IIC Gb / II 2G Ex eb II Gb
Certificate	IEP 19 ATEX 0693X / Directive 2014/34/EU
Material	MS 58 Brass, Brass Nickel Plated
Standarts	EN 60079-0:2013, EN 60079-1:2014, 60079-7:2007, EN 60079-31:2014
IP Rating	EN 60529 IP66 & IP68
Seal Material	Chloroprene Seals -40°C to +100°C / Silicone Seals -60°C to +180°C
Application Area	Group II-III / Gas & Dust, Zone 1-2 & 21-22 Gas Groups IIA, IIB, IIC / Dust Groups IIIA, IIIB, IIIC
Optional Accessories	Locknut, Earth tag, IP Washers

Size Selection Table			
Metric Size		NPT Size	
1M	M12x1,5	1N	1/4"
2M	M16x1,5	2N	3/8"
3M	M20x1,5	3N	1/2"
4M	M25x1,5	4N	3/4"
5M	M32x1,5	5N	1"
6M	M40x1,5	6N	1 1/4"
7M	M50x1,5	7N	1 1/2"
8M	M63x1,5	8N	2"

Product Code	Male Size M	Female Size F	Thread Length A (mm)	Thread Length A1 (mm)	Height H (mm)	Spanner Width SW (mm)	Outer Min. SW1 (mm)	Thread Pieces A1	Thread Pieces A1	Weight (Kgs)
M-REB 1N2N	1/4" NPT	3/8" NPT	15	15	34	22	24,0	8,0/18,0	8,0/18,0	0,00
M-REB 1N3N	1/4" NPT	1/2" NPT	15	15	34	25	27,5	8,0/18,0	8,0/18,0	0,00
M-REB 1N4N	1/4" NPT	3/4" NPT	15	15	34	30	33,0	8,0/18,0	7,0/14,0	0,00
M-REB 2N3N	3/8" NPT	1/2" NPT	15	15	34	25	27,5	8,0/18,0	8,0/18,0	0,00
M-REB 2N4N	3/8" NPT	3/4" NPT	15	15	34	30	33,0	8,0/18,0	7,0/14,0	0,00
M-REB 2N5N	3/8" NPT	1" NPT	15	15	34	36	40,0	8,0/18,0	6,0/14,0	0,00
M-REB 2N6N	3/8" NPT	1 1/4" NPT	15	18	37	45	50,0	8,0/18,0	7,0/11,5	0,00
M-REB 3N4N	1/2" NPT	3/4" NPT	15	15	34	30	33,0	7,0/14,0	7,0/14,0	0,00
M-REB 3N5N	1/2" NPT	1" NPT	15	15	34	36	40,0	7,0/14,0	6,0/14,0	0,00
M-REB 3N6N	1/2" NPT	1 1/4" NPT	15	18	37	45	50,0	7,0/14,0	7,0/11,5	0,00
M-REB 3N7N	1/2" NPT	1 1/2" NPT	15	18	41	55	61,0	7,0/14,0	7,0/11,5	0,00
M-REB 4N5N	3/4" NPT	1" NPT	15	15	34	36	40,0	6,0/14,0	6,0/14,0	0,00
M-REB 4N6N	3/4" NPT	1 1/4" NPT	15	18	37	45	50,0	6,0/14,0	7,0/11,5	0,00
M-REB 4N7N	3/4" NPT	1 1/2" NPT	15	18	41	55	61,0	6,0/14,0	7,0/11,5	0,00
M-REB 4N8N	3/4" NPT	2" NPT	15	18	41	65	72,0	6,0/14,0	7,0/11,5	0,00
M-REB 5N6N	1" NPT	1 1/4" NPT	15	18	37	45	50,0	7,0/11,5	7,0/11,5	0,00
M-REB 5N7N	1" NPT	1 1/2" NPT	15	18	41	55	61,0	7,0/11,5	7,0/11,5	0,00
M-REB 5N8N	1" NPT	2" NPT	15	18	41	65	72,0	7,0/11,5	7,0/11,5	0,00
M-REB 6N7N	1 1/4" NPT	1 1/2" NPT	18	18	41	55	61,0	7,0/11,5	7,0/11,5	0,00
M-REB 6N8N	1 1/4" NPT	2" NPT	18	18	41	65	72,0	7,0/11,5	7,0/11,5	0,00
M-REB 7N8N	1 1/2" NPT	2" NPT	18	18	41	65	72,0	7,0/11,5	7,0/11,5	0,00

Code	Male Size Code	Male Thread	Female Size Code	Female Thread	Material	Sealing Gasket	Code Example
	1: 1/4" 2: 3/8"	N: NPT M: Metric	2: 3/8" 3: 1/2"	N: NPT M: Metric	B : Brass BN : Brass Nickel Plated	S : Silicone C: Chloroprene	M-REB1N2NBNS
M-REB	1	N	2	N	BN	S	M-REB1N2NBNS

Flameproof Exd & Increased Safety Exe

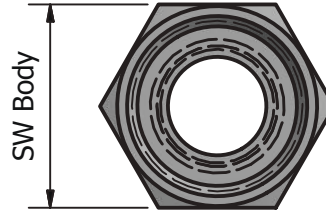
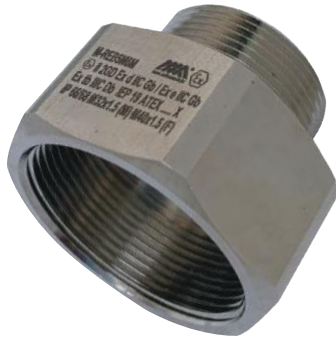




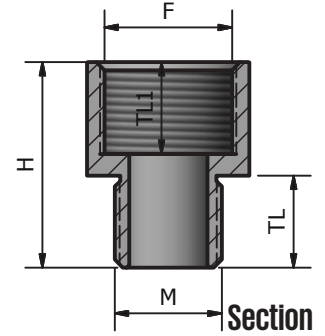
# Hazardous Area Reducers (Group II)

## REDUCERS

## KOZMOZ SERIES



Top view



Section

### Technical Details

Type	Reducers_METRIC & METRIC type
Protection Code	Ex I M2 Ex db I Mb / I M2 Ex eb I Mb / II 1D Ex ta IIIC Da / II 2G Ex db IIC Gb / II 2G Ex eb II Gb
Certificate	IEP 19 ATEX 0693X / Directive 2014/34/EU
Material	MS 58 Brass, Brass Nickel Plated
Standarts	EN 60079-0:2013, EN 60079-1:2014, 60079-7:2007, EN 60079-31:2014
IP Rating	EN 60529 IP66 & IP68
Seal Material	Chloroprene Seals -40°C to +100°C / Silicone Seals -60°C to +180°C
Application Area	Group II-III / Gas & Dust, Zone 1-2 & 21-22 Gas Groups IIA, IIB, IIC / Dust Groups IIIA, IIIB, IIIC
Optional Accessories	Locknut, Earth tag, IP Washers

Size Selection Table			
Metric Size		NPT Size	
1M	M12x1,5	1N	1/4"
2M	M16x1,5	2N	3/8"
3M	M20x1,5	3N	1/2"
4M	M25x1,5	4N	3/4"
5M	M32x1,5	5N	1"
6M	M40x1,5	6N	1 1/4"
7M	M50x1,5	7N	1 1/2"
8M	M63x1,5	8N	2"

Product Code	Male Size M	Female Size F	Thread Length A (mm)	Thread Length A1 (mm)	Height H (mm)	Spanner Width SW (mm)	Outer Min. SW1 (mm)	Thread Pieces A	Thread Pieces A1	Weight (Kgs)
M-REB 1M2M	M12x1,5	M16x1,5	15	15	34	22	24,0	8,0	8,0	0,00
M-REB 1M3M	M12x1,5	M20x1,5	15	15	34	25	27,5	8,0	8,0	0,00
M-REB 1M4M	M12x1,5	M25x1,5	15	15	34	30	33,0	8,0	8,0	0,00
M-REB 2M3M	M16x1,5	M20x1,5	15	15	34	25	27,5	8,0	8,0	0,00
M-REB 2M4M	M16x1,5	M25x1,5	15	15	34	30	33,0	8,0	8,0	0,00
M-REB 2M5M	M16x1,5	M32x1,5	15	15	34	36	40,0	8,0	8,0	0,00
M-REB 2M6M	M16x1,5	M40x1,5	15	18	37	45	50,0	8,0	10,0	0,00
M-REB 3M4M	M20x1,5	M25x1,5	15	15	34	30	33,0	8,0	8,0	0,00
M-REB 3M5M	M20x1,5	M32x1,5	15	15	34	36	40,0	8,0	8,0	0,00
M-REB 3M6M	M20x1,5	M40x1,5	15	18	37	45	50,0	8,0	10,0	0,00
M-REB 3M7M	M20x1,5	M50x1,5	15	18	41	55	61,0	8,0	10,0	0,00
M-REB 4M5M	M25x1,5	M32x1,5	15	15	34	36	40,0	8,0	8,0	0,00
M-REB 4M6M	M25x1,5	M40x1,5	15	18	37	45	50,0	8,0	10,0	0,00
M-REB 4M7M	M25x1,5	M50x1,5	15	18	41	55	61,0	8,0	10,0	0,00
M-REB 4M8M	M25x1,5	M63x1,5	15	18	41	70	77,0	8,0	10,0	0,00
M-REB 5M6M	M32x1,5	M40x1,5	15	18	37	45	50,0	8,0	10,0	0,00
M-REB 5M7M	M32x1,5	M50x1,5	15	18	41	55	61,0	8,0	10,0	0,00
M-REB 5M8M	M32x1,5	M63x1,5	15	18	41	70	77,0	8,0	10,0	0,00
M-REB 6M7M	M40x1,5	M50x1,5	18	18	41	55	61,0	10,0	10,0	0,00
M-REB 6M8M	M40x1,5	M63x1,5	18	18	41	70	77,0	10,0	10,0	0,00
M-REB 7M8M	M50x1,5	M63x1,5	18	18	41	70	77,0	10,0	10,0	0,00

Code	Male Size Code	Male Thread	Female Size Code	Female Thread	Material	Sealing Gasket	Code Example
M-REB	1: M12x1,5 2: M16x1,5	N: NPT M: Metric	1: M12x1,5 2: M16x1,5	N: NPT M: Metric	B : Brass BN : Brass Nickel Plated	S : Silicone C: Chloroprene	M-REB1M2MBNS

Flameproof Exd & Increased Safety Exe

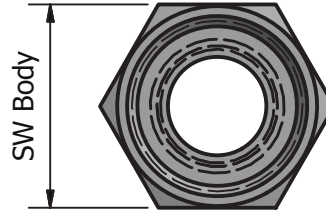
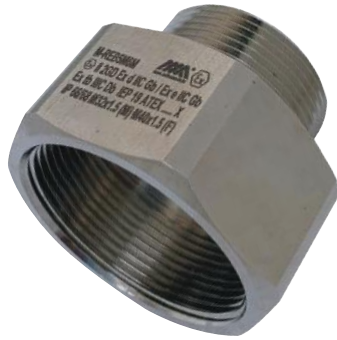




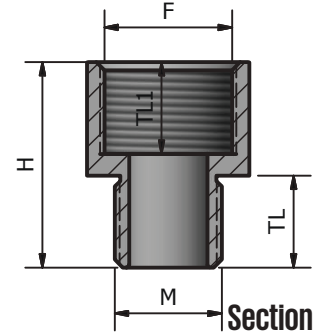
# Hazardous Area Reducers (Group II)

## REDUCERS

## KOZMOZ SERIES



Top view



Section

### Technical Details

Type	Reducers_METRIC & NPT Type
Protection Code	Ex I M2 Ex db I Mb / I M2 Ex eb I Mb / II 1D Ex ta IIIC Da / II 2G Ex db IIC Gb / II 2G Ex eb II Gb
Certificate	IEP 19 ATEX 0693X / Directive 2014/34/EU
Material	MS 58 Brass, Brass Nickel Plated
Standarts	EN 60079-0:2013, EN 60079-1:2014, 60079-7:2007, EN 60079-31:2014
IP Rating	EN 60529 IP66 & IP68
Seal Material	Chloroprene Seals -40°C to +100°C / Silicone Seals -60°C to +180°C
Application Area	Group II-III / Gas & Dust, Zone 1-2 & 21-22 Gas Groups IIA, IIB, IIC / Dust Groups IIIA, IIIB, IIIC
Optional Accessories	Locknut, Earth tag, IP Washers

Size Selection Table			
Metric Size		NPT Size	
1M	M12x1,5	1N	1/4"
2M	M16x1,5	2N	3/8"
3M	M20x1,5	3N	1/2"
4M	M25x1,5	4N	3/4"
5M	M32x1,5	5N	1"
6M	M40x1,5	6N	1 1/4"
7M	M50x1,5	7N	1 1/2"
8M	M63x1,5	8N	2"

Product Code	Male Size M	Female Size F	Thread Length A (mm)	Thread Length A1 (mm)	Height H (mm)	Spanner Width SW (mm)	Outer Min. SW1 (mm)	Thread Pieces A	Thread Pieces A1	Weight (Kgs)
M-REB 1M2N	M12x1,5	3/8" NPT	15	15	34	22	24,0	8,0	8,0/18,0	0,00
M-REB 2M3N	M16x1,5	1/2" NPT	15	15	34	25	27,5	8,0	8,0/18,0	0,00
M-REB 2M4N	M16x1,5	3/4" NPT	15	15	34	30	33,0	8,0	7,0/14,0	0,00
M-REB 3M3N	M20x1,5	1/2" NPT	15	15	34	25	27,5	8,0	8,0/18,0	0,00
M-REB 3M4N	M20x1,5	3/4" NPT	15	15	34	30	33,0	8,0	7,0/11,5	0,00
M-REB 3M5N	M20x1,5	1" NPT	15	15	34	36	40,0	8,0	6,0/14,0	0,00
M-REB 3M7N	M20x1,5	1 1/2" NPT	15	18	41	55	61,0	8,0	7,0/11,5	0,00
M-REB 3M8N	M20x1,5	2" NPT	15	18	41	65	72,0	8,0	7,0/11,5	0,00
M-REB 4M4N	M25x1,5	3/4" NPT	15	15	34	30	33,0	8,0	7,0/11,5	0,00
M-REB 4M5N	M25x1,5	1" NPT	15	15	34	36	40,0	8,0	6,0/14,0	0,00
M-REB 4M6N	M25x1,5	1 1/4" NPT	15	18	37	45	50,0	8,0	7,0/11,5	0,00
M-REB 4M7N	M25x1,5	1 1/2" NPT	15	18	41	55	61,0	8,0	7,0/11,5	0,00
M-REB 4M8N	M25x1,5	2" NPT	15	18	41	65	72,0	8,0	7,0/11,5	0,00
M-REB 5M5N	M32x1,5	1" NPT	15	15	34	36	40,0	8,0	6,0/14	0,00
M-REB 5M6N	M32x1,5	1 1/4" NPT	15	18	37	45	50,0	8,0	7,0/11,5	0,00
M-REB 5M7N	M32x1,5	1 1/2" NPT	15	18	41	55	61,0	8,0	7,0/11,5	0,00
M-REB 5M8N	M32x1,5	2" NPT	15	18	41	65	72,0	8,0	7,0/11,5	0,00
M-REB 6M7N	M40x1,5	1 1/2" NPT	18	18	41	55	61,0	10,0	7,0/11,5	0,00
M-REB 6M8N	M40x1,5	2" NPT	18	18	41	65	72,0	10,0	7,0/11,5	0,00
M-REB 7M8N	M50x1,5	2" NPT	18	18	41	65	72,0	10,0	7,0/11,5	0,00
M-REB 8M8N	M63x1,5	2" NPT	18	18	41	70	77,0	10,0	7,0/11,5	0,00

Code	Male Size Code	Male Thread	Female Size Code	Female Thread	Material	Sealing Gasket	Code Example
M-REB	1: M12x1,5 2: M16x1,5	N: NPT M: Metric	2: 3/8" 3: 1/2"	N: NPT M: Metric	B : Brass BN : Brass Nickel Plated	S: Silicone C: Chloroprene	M-REB1M2NBNS

Flameproof Exd & Increased Safety Exe

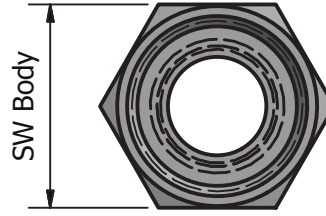
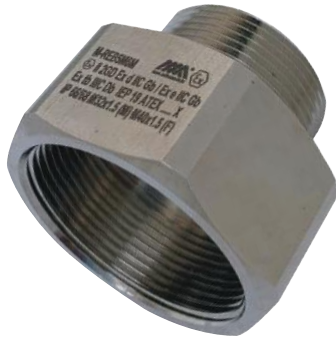




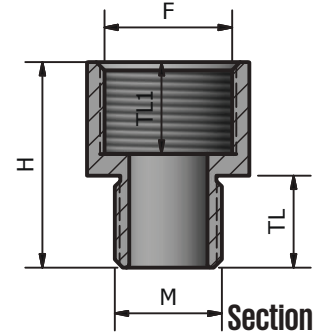
# Hazardous Area Reducers (Group II)

## REDUCERS

## KOZMOZ SERIES



Top view



Section

### Technical Details

Type	Reducers_NPT & METRIC Type
Protection Code	Ex I M2 Ex db I Mb / I M2 Ex eb I Mb / II 1D Ex ta IIIC Da / II 2G Ex db IIC Gb / II 2G Ex eb II Gb
Certificate	IEP 19 ATEX 0693X / Directive 2014/34/EU
Material	MS 58 Brass, Brass Nickel Plated
Standarts	EN 60079-0:2013, EN 60079-1:2014, 60079-7:2007, EN 60079-31:2014
IP Rating	EN 60529 IP66 & IP68
Seal Material	Chloroprene Seals -40°C to +100°C / Silicone Seals -60°C to +180°C
Application Area	Group II-III / Gas & Dust, Zone 1-2 & 21-22 Gas Groups IIA, IIB, IIC / Dust Groups IIIA, IIIB, IIIC
Optional Accessories	Locknut, Earth tag, IP Washers

Size Selection Table			
Metric Size		NPT Size	
1M	M12x1,5	1N	1/4"
2M	M16x1,5	2N	3/8"
3M	M20x1,5	3N	1/2"
4M	M25x1,5	4N	3/4"
5M	M32x1,5	5N	1"
6M	M40x1,5	6N	1 1/4"
7M	M50x1,5	7N	1 1/2"
8M	M63x1,5	8N	2"

Product Code	Male Size M	Female Size F	Thread Length A (mm)	Thread Length A1 (mm)	Height H (mm)	Spanner Width SW (mm)	Outer Min. SW1 (mm)	Thread Pieces A	Thread Pieces A1	Weight (Kgs)
M-REB 1N2M	1/4" NPT	M16x1,5	15	15	34	22	24,0	8,0/18,0	8,0	0,00
M-REB 1N3M	1/4" NPT	M20x1,5	15	15	34	25	27,5	8,0/18,0	8,0	0,00
M-REB 2N3M	3/8" NPT	M20x1,5	15	15	34	25	27,5	8,0/18,0	8,0	0,00
M-REB 2N4M	3/8" NPT	M25x1,5	15	15	34	30	33,0	8,0/18,0	8,0	0,00
M-REB 3N3M	1/2" NPT	M20x1,5	15	15	34	25	27,5	7,0/14,0	8,0	0,00
M-REB 3N4M	1/2" NPT	M25x1,5	15	18	34	30	33,0	7,0/14,0	8,0	0,00
M-REB 3N5M	1/2" NPT	M32x1,5	15	15	34	36	40,0	7,0/14,0	8,0	0,00
M-REB 4N4M	3/4" NPT	M25x1,5	15	15	34	30	33,0	6,0/14,0	8,0	0,00
M-REB 4N5M	3/4" NPT	M32x1,5	15	15	34	36	40,0	6,0/14,0	8,0	0,00
M-REB 4N6M	3/4" NPT	M40x1,5	15	18	37	45	50,0	6,0/14,0	10,0	0,00
M-REB 4N7M	3/4" NPT	M50x1,5	15	18	41	55	61,0	6,0/14,0	10,0	0,00
M-REB 4N8M	3/4" NPT	M63x1,5	15	18	41	70	77,0	6,0/14,0	10,0	0,00
M-REB 5N4M	1" NPT	M25x1,5	15	15	34	30	33,0	7,0/11,5	8,0	0,00
M-REB 5N5M	1" NPT	M32x1,5	15	15	34	36	40,0	7,0/11,5	8,0	0,00
M-REB 5N6M	1" NPT	M40x1,5	15	18	37	45	50,0	7,0/11,5	10,0	0,00
M-REB 5N7M	1" NPT	M50x1,5	15	18	41	55	61,0	7,0/11,5	10,0	0,00
M-REB 5N8M	1" NPT	M63x1,5	15	18	41	70	77,0	7,0/11,5	10,0	0,00
M-REB 6N7M	1 1/4" NPT	M50x1,5	18	18	41	55	61,0	7,0/11,5	10,0	0,00
M-REB 6N8M	1 1/4" NPT	M63x1,5	18	18	41	70	77,0	7,0/11,5	10,0	0,00
M-REB 7N8M	1 1/2" NPT	M63x1,5	18	18	41	70	77,0	7,0/11,5	10,0	0,00
M-REB 8N8M	2" NPT	M63x1,5	18	18	41	70	77,0	7,0/11,5	10,0	0,00

Code	Male Size Code	Male Thread	Female Size Code	Female Thread	Material	Sealing Gasket	Code Example
	1: 1/4" 2: 3/8"	N: NPT M: Metric	2: M16x1,5 3: M20x1,5	N: NPT M: Metric	B : Brass BN : Brass Nickel Plated	S: Silicone C: Chloroprene	M-REB1N2MBNS
M-REB	1	N	2	M	BN	S	M-REB1N2MBNS

Flameproof Exd & Increased Safety Exe

