

## 20-80W LED Explosion proof light



### Technical Parameters

<b>Type</b>	<b>GYD930</b>		
<b>European (ATEX)</b>	ECM 21 ATEX-B D077	CE 1282 Ex II 2G Ex db IIC T6 Gb	
<b>Gas and Dust</b>	ECM 21 ATEX-E D078	CE 1282 Ex II 2D Ex tb IIIC T80°C Db	
<b>Power consumption [W]</b>	20W / 40W / 60W / 80W / 100W	<b>Weight</b>	3.8 / 6.0 / 8.1 kg
<b>Rated voltage</b>	100-240VAC, 50-60Hz	<b>Beam angle</b>	120°
<b>Colour rendering [CRI]</b>	70 (±2)	<b>IP Degree</b>	IP66
<b>Colour temperature [K]</b>	6000-6500	<b>Conduit Entries</b>	G 3/4"
<b>Luminaire efficiency</b>	[Lm/W] 115 - 130	<b>Terminal</b>	≤2.5 mm <sup>2</sup>
<b>Mounting Styles</b>	Ceiling; Wall Bracket; Pendant		

### Features:

- \* Zone 1&2, Zone 21&22.
- \* Instant on crisp white light output.
- \* Multi choice of beam angle for 45° 90° 120°.
- \* Isolated LED compartment reduces temperature within driver housing.
- \* High efficiency drivers and LEDs provide, low cost operation in harsh and heavy industrial applications.



### GYD930-1

20-40W



### GYD930-2

50-60W



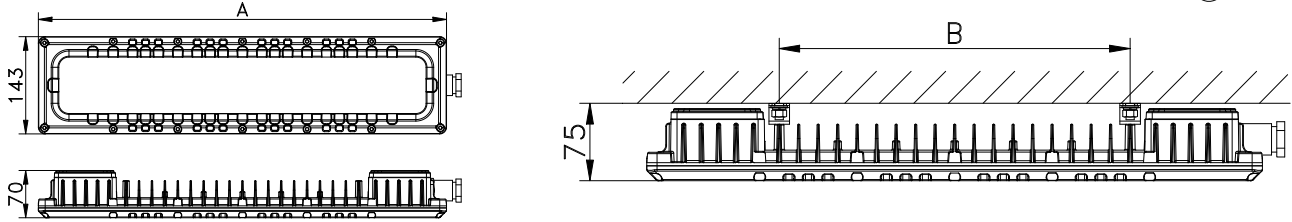
### GYD930-3

80-100W



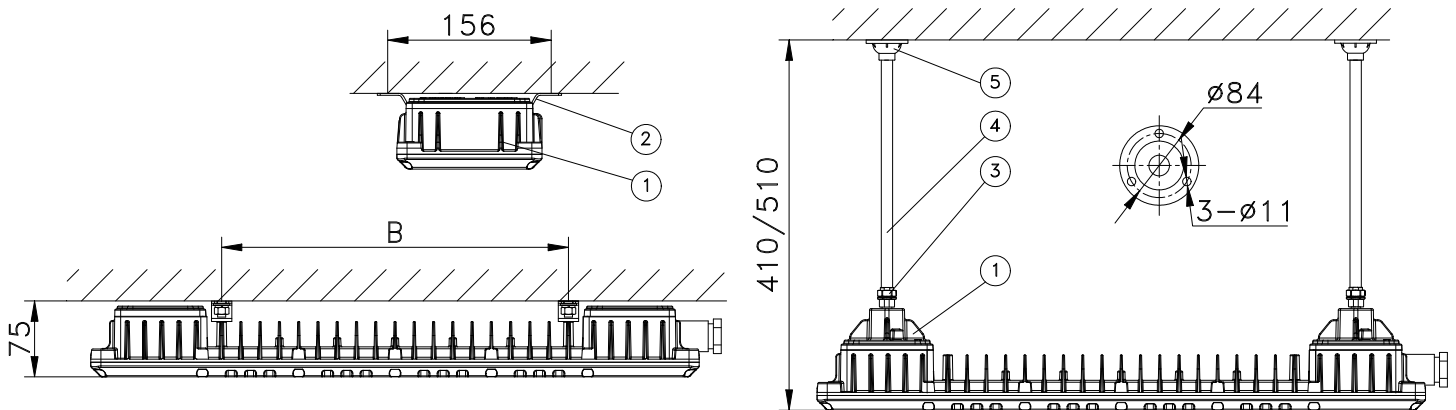
## 20-80W LED Explosion proof light

### Dimension [mm]



Type	Power	A (mm)	B (mm)
GYD930-1	20-40W	400	140
GYD930-2	50-60W	600	340
GYD930-3	80-100W	900	640

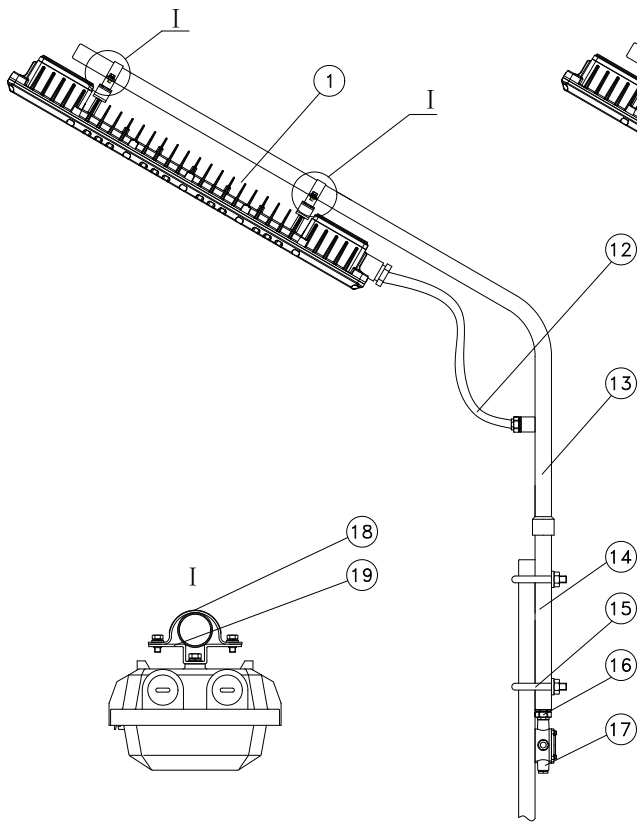
### Installation



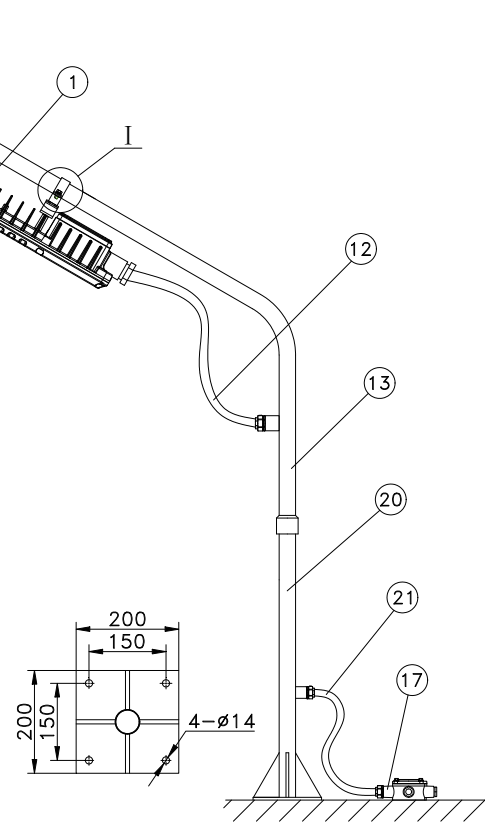
**Ceiling**

**Pendant**

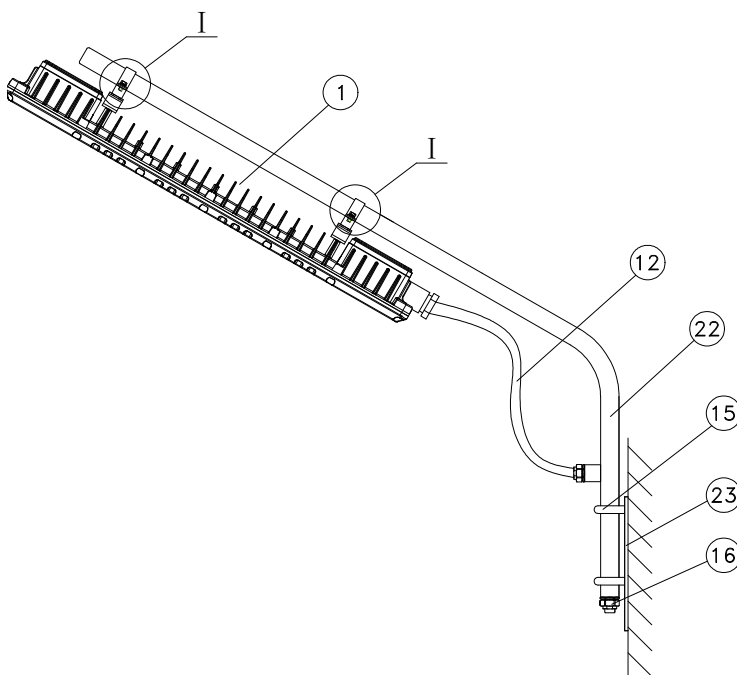
## 20-80W LED Explosion proof light



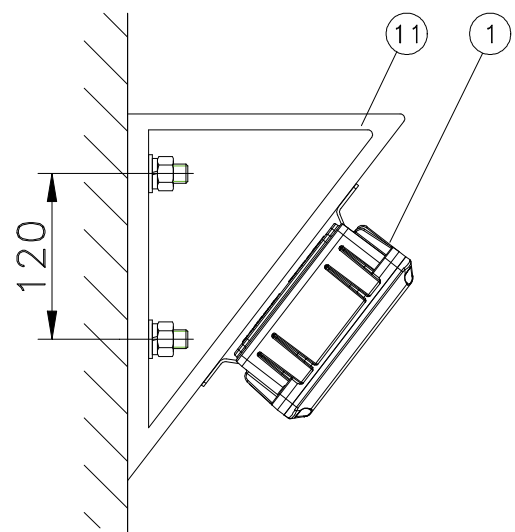
**Stanchion(in Guardrail)**



**Stanchion(with Flange)**



**Stanchion(On Wall )**



**Wall Type**