

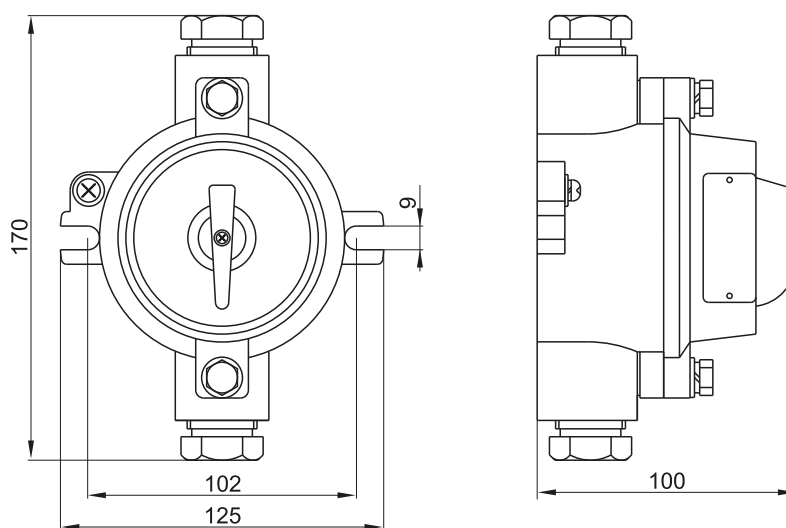
Explosion proof Switch



Technical Parameters

| | | | |
|------------------------|--------------------|-----------------------------|-------------------------|
| Type | SW-10 | | |
| European (ATEX) | ECM 20 ATEX-B CW61 | CE 1282 Ex | II 2GD Ex de II C T6 Gb |
| Gas and Dust | ECM 20 ATEX-E CW62 | CE 1282 Ex | II 2GD Ex e IIC T6 Gb |
| Input voltage | 220 - 380 VAC | Degree of protection | IP66 |
| Conduit Entries | G 3/4" (10-14mm) | Weight | 0.85 kg |

Dimension & Installation [mm]



Features:

- * Zone 1&2, Zone 21&22.
- * Housing is made of die-cast aluminum, with epoxy sprayed
- * Compact structure, beautiful appearance
- * Waterproof and dustproof