



GAS II2G Ex emb IIC T4 **Gb**

IP66

Zone 1 - Zone 21 - Zone 2 - Zone 22

DUST II2D Ex mb IIIC T130°C **Db**

IP66

❄️ -20°C ÷ ☀️ +40°C

❄️ -20°C ÷ ☀️ +60°C

Materiale : corpo : lega leggera
trasparente : vetro temperato con elevato rischio di impatto meccanico : 4 joule

Installazione : universale con staffa in acciaio inox AISI 304
Collare EVFP 34/1 per palina 1 1/2" a richiesta

Viteria : Acciaio inox AISI 304

Guarnizioni : Silicone - EPDM

Collegamento : Morsettiere 2.5mm²

Ingresso : N° 1 M20x1.5

Material : *body : light alloy*
transparent : tempered high impact resistant glass : 4 joule

Installation : *universal with stainless steel AISI 304 bracket*
Pole 1 1/2" lug code EVFP 34/1 on demand

Hardware : *Stainless steel AISI 304*

Gaskets : *Silicon - EPDM*

Connection : *Terminals 2.5mm²*

Cable entry : *N° 1 M20x1.5*

Potenza : Vedi tabella

Tensione : 230Vac (altre tensioni a richiesta)
24Vdc

Corrente : 2,3+9,2A

Frequenza : 50Hz + 60Hz

Indice colore : 80

Durata : >50.000 ore

Power : See table

Voltage : 230Vac (other voltage on demand)
24Vdc

Current : 2,3+9,2A

Frequency : 50Hz + 60Hz

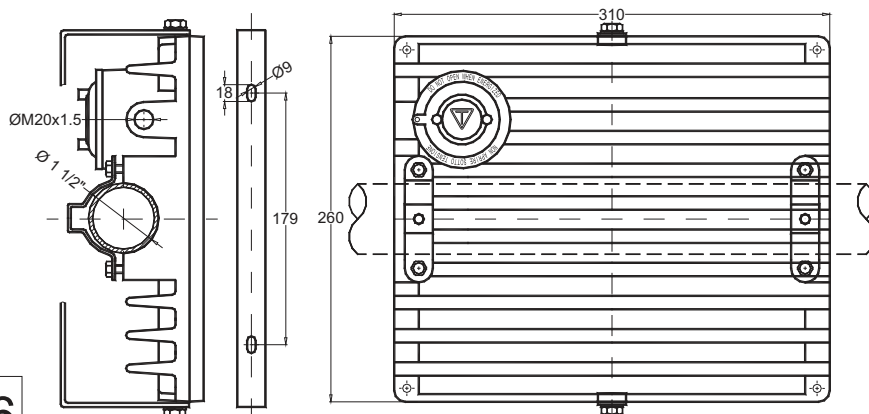
Color index : 80

Life time : >50.000 ore



High Bay LEDIL 2x2	Angolo fascio Beam angle	suffisso suffix
	10°	10
	15°	15
	20°	20
	25°	25
	50°	50

Codice Code	[W]	N° led Led N°	Fusso [lm] Flux [lm]	colore [k] color [k]	Irragg. Radiance	Lente Lens	Tensione [V] Voltage [V]	Peso[kg] Weight [kg]
PRO 144EX230AC	240	144	34000	5700	120°	-	230Vac	11,0
PRO 144EX230AC10	240	144	34000	5700	10°	10	230Vac	11,0
PRO 144EX230AC15	240	144	34000	5700	15°	15	230Vac	11,0
PRO 144EX230AC20	240	144	34000	5700	20°	20	230Vac	11,0
PRO 144EX230AC25	240	144	34000	5700	25°	25	230Vac	11,0
PRO 144EX230AC50	240	144	34000	5700	50°	50	230Vac	11,0
PRO 144EX24DC	240	144	34000	5700	120°	-	24Vdc	7,0
PRO 144EX24DC10	240	144	34000	5700	10°	10	24Vdc	7,2
PRO 144EX24DC15	240	144	34000	5700	15°	15	24Vdc	7,2
PRO 144EX24DC20	240	144	34000	5700	20°	20	24Vdc	7,2
PRO 144EX24DC25	240	144	34000	5700	25°	25	24Vdc	7,2
PRO 144EX24DC50	240	144	34000	5700	50°	50	24Vdc	7,2



K6